

ELEVATION

SCALE: 1 : 2

CLEARVIEW SHUTTERS

53 x 25 mm Al.
mounting channel
top and bottom

80 x 50 horizontal
frame section

Fixed
shutter

Sliding
shutters

80 x 50
Chair rails
Align with
balustrade

50 x 180 x 1.6 mm
Al. Flashing
Powder coat

12
5 5
180

15 x 180 x 1.6 mm
Al. Flashing
Powder coat

See detail 'A'
sht. 4

Balustrade

1000

2750

See detail 'B'
sht. 4

Reinforced
screed

Tiles

100

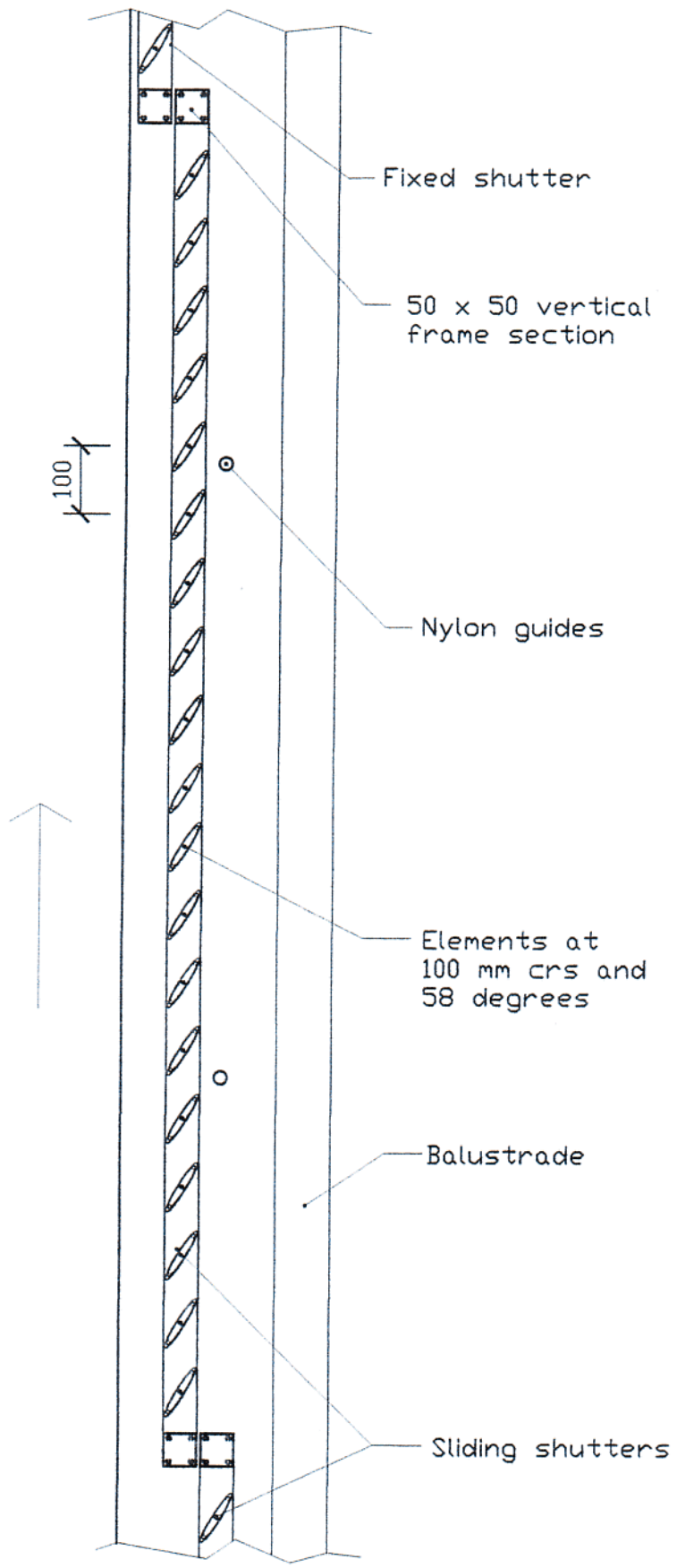
50

200

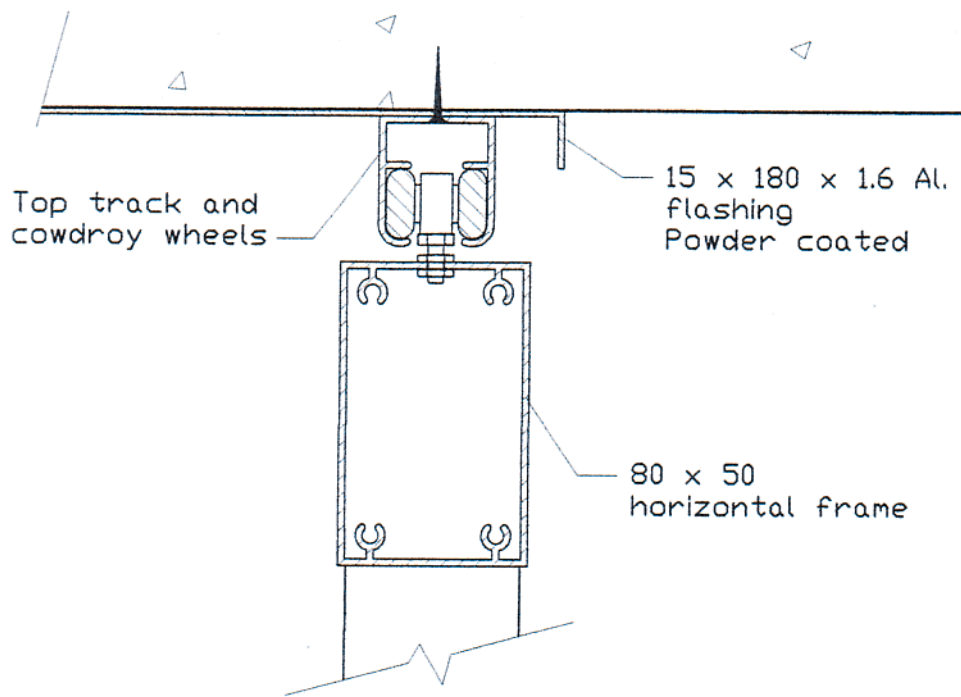
VERTICAL SECTION

SCALE: 1 : 2

CLEARVIEW SHUTTERS

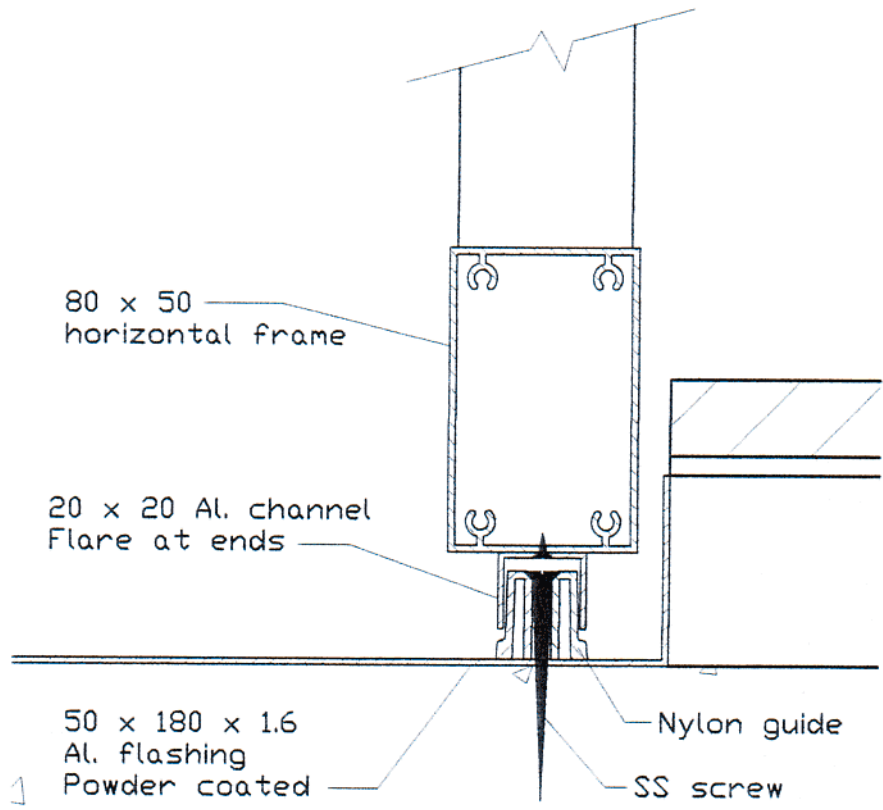


PLAN
SCALE: 1 : 10



DETAIL 'A'

SCALE: 1 : 2



DETAIL 'B'

SCALE: 1 : 2

CLEARVIEW SHUTTERS